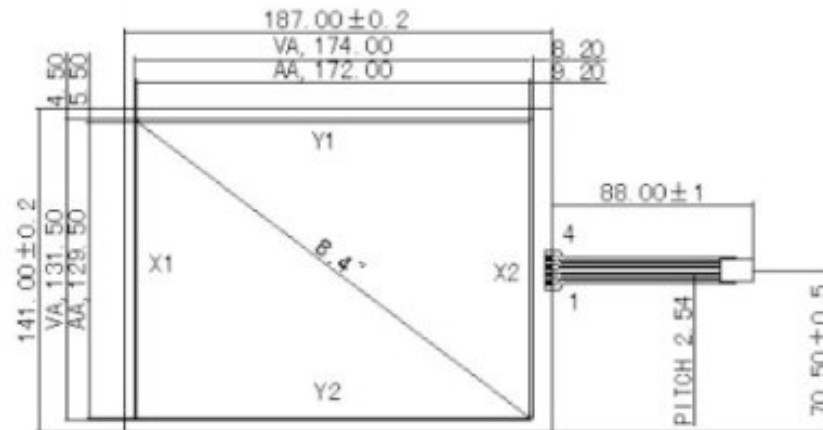


4



PIN	OUT
1	X1
2	Y2
3	X2
4	Y1



Notes:

- | | |
|---|--|
| 1. Type: Film to Glass | 2. Operating Voltage: $\leq 10V$ |
| 3. Operation Temperature: $-10^{\circ}C \sim 60^{\circ}C$ | Storage Temperature: $-20^{\circ}C \sim 70^{\circ}C$ |
| 4. Life Time: $> 1,000,000$ times | 5. Connect Material: FPC |
| 6. Response Time: $\leq 10ms$ | 7. Linearity: $\leq 1.5\%$ |
| 8. Transmittance: $\geq 85\%$ | 9. Surface Hardness $\geq 3H$ (pencil) |
| 10. Operation force: $60g \sim 150g$ | 11. Resistance: X: $200\Omega - 1000\Omega$ Y: $100\Omega - 600\Omega$ |

MODEL NO.	WVT-TP4-8.4N1	UNIT:	MM
DRAWN:		TOLERANCE:	± 0.3
DATE:	09/11/12	SCALE:	1:1
VERSION:	1.0	REV:	

4

3

2

1

B

A

C

A